



Please read this document carefully before using this product. The guarantee will be invalidated if the device is damaged by not following instructions detailed in the manual. The company shall not be responsible for any damage or losses however caused, which may be experienced as a result of the installation or use of this product.

ENDA ATDW02 Rail Mounted Dishwasher Time Relay

Thank you for choosing ENDA ATDW02 Rail Mounted Dishwasher Time Relay.

- ▶ 5 Different washing time selection with commutator.
- ▶ Adjustable rinsing time between 1to 30 sec.
- ▶ Washer motor for wash function (W) output relay.
- ▶ Rinse function (R) output relay for rinsing function.
- ▶ Rail mounted.
- ▶ Screw-terminal connections.
- ▶ CE marked according to European Norms.

ORDER CODE **ATDW02 -UV**

Product Basic Code
Rail Mounted Dishwasher
Time Relay

Supply Voltage
UV 90-250V AC



R^{HS}
Compliant



Technical Specifications

ENVIRONMENTAL CONDITIONS	
Ambient/storage temperature	0 ... +50°C/-25 ... +70°C (Mustn't be icing and condensation in the environment).
Max. relative humidity	Relative humidity 80% for temperatures up to -31°C decreasing linearly to 50% relative humidity at +40°C. (Mustn't be condensation in the environment).
Rated pollution degree	IP20, According to EN 60529
Height	Max. 2000m
⚠ KEEP AWAY device from exposed to corrosive, volatile and flammable gases or liquids and DO NOT USE the device in similar hazardous locations.	

ELECTRICAL CHARACTERISTICS	
Supply voltage	90-250V AC 50/60Hz.
Power consumption	Max. 10VA
Connection	Screw-terminal connection.
Rinsing duration	Can be adjusted linearly between 1 and 30 sec.
Resetting time	Max. 0.04 seconds.
Accuracy	Depending on the effect of voltage : max 0.2%. Depending on the set value settings : max 4.5%. Depending on the effect of temperature : max 1%.
EMC	EN 61326-1: 2013
Safety requirements	EN 61010-1: 2010 (pollution degree 2, overvoltage category II)
Insulation test voltage	3kV AC min. 60 Seconds, 4,2kV DC min. 60 Seconds.

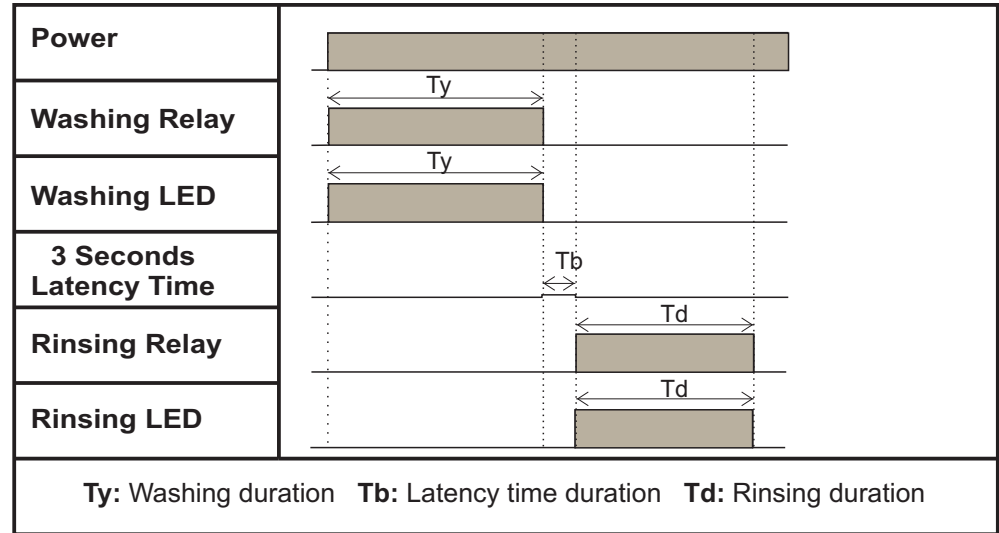
OUTPUTS	
Washing / Rinsing Outputs	Relay: 250V AC, 10A (for resistive load).
Life expectancy for relays	Without load 10.000.000 operation; 250V AC, 10A resistive load 50.000 operation.
LED Indicators	Washing LED illuminates when rinse output is active. Rinse LED illuminates when rinse output is active.

HOUSING	
Mounting	Rail mounted (EN 60715, TH35)
Dimensions	W18xH90xD66mm
Weight	Approx. 90g (after packaging)
Enclosure material	Self extinguishing plastics.

⚠ Avoid any liquid contact when the device is switched on. DO NOT clean the device with solvent (thinner, gasoline, acid etc.) and / or abrasive cleaning agents.

OUTPUT CONTROL

ATDW02 - UV



OPERATING

When the device is power-up, one of the terminals T1, T2, T3, T4 and T5 is short-circuited with T0 terminal input and the device starts. The wasing relay output will be activated until the wash time of Ty is turned on and the washing led will turn on and the washing motor will run.

When the washing cycle expires, the washing relay output stops, the wash lamp goes off, and the device enters standby mode (Tb) for 3 seconds. After 3 seconds, the rinsing relay output is activated during the Td (1-30 sec. Time according to the set rinse time), the rinse led is illuminates and the rinsing motor runs. When the Td rinse time expires, the rinsing relay output stops, the rinsing lamp goes off, and no operation is performed until the device is re-power-up.

Ty Washing Duration

T1 : 30 Sec.
T2 : 60 Sec.
T3 : 90 Sec.
T4 : 120 Sec.
T5 : 180 Sec.

Td Rinsing Duration

1-30 Sec. Can be adjusted on the device.

Tb Latency Time Duration

3 sn

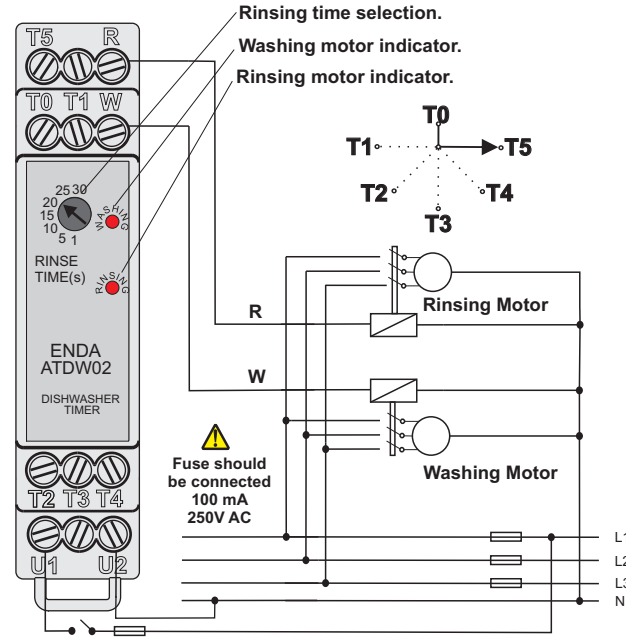
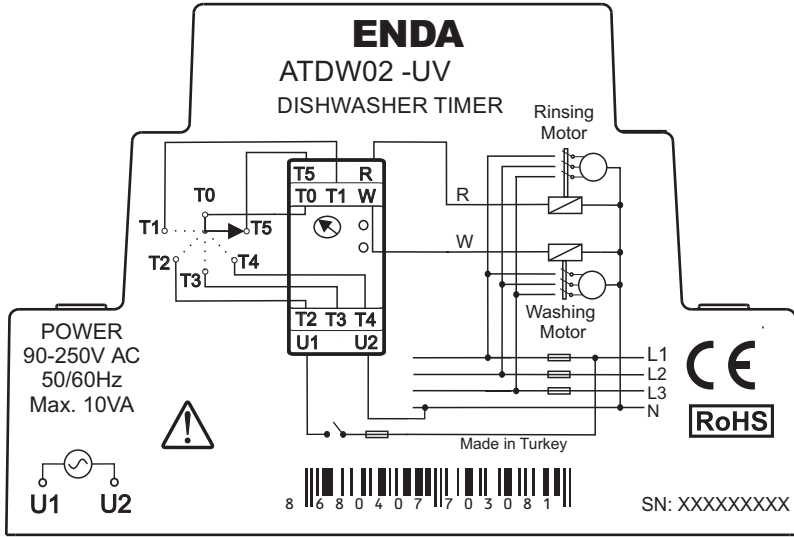


SISEL MÜHENDİSLİK ELEKTRONİK SAN. VE TİC. A.Ş.
Şerifali Mah. Barbaros Cad. No:18 Y.Dudullu 34775
ÜMRANİYE/İSTANBUL-TÜRKİYE
Tel : +90 216 499 46 64 Pbx. Fax : +90 216 365 74 01
url : www.enda.com.tr



ATDW02-EN-02-220103

CONNECTION DIAGRAM



ENDA ATDW02 Series timers are rail mounted devices. Make sure that the device is used only for intended purpose. The shielding must be grounded on the instrument side. During an installation, all of the cables that are connected to the device must be free of energy. The device must be protected against inadmissible humidity, vibrations, severe soiling and make sure that the operation temperature is not exceeded. All input and output lines that are not connected to the supply network must be laid out as shielded and twisted cables. These cables should not be close to the power cables or components. The installation and electrical connections must be carried on by a qualified staff and must be according to the relevant locally applicable regulations.



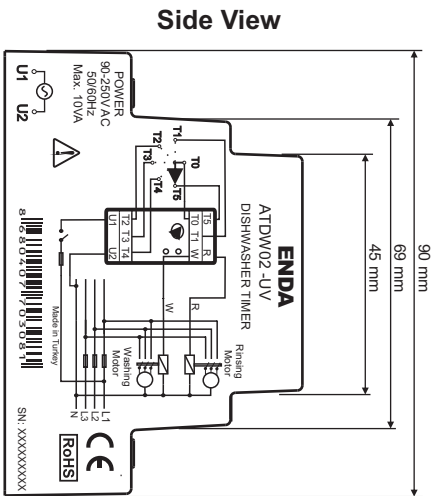
Note :

- 1) Mains supply cords shall meet the requirements of IEC 60227 or IEC 60245.
- 2) In accordance with the safety regulations, the power supply switch shall bring the identification of the relevant instrument and it should be easily accessible by the operator.

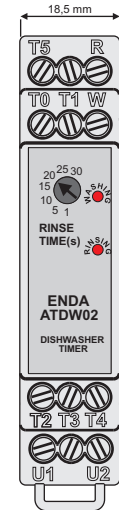


Holding screw 0.4Nm

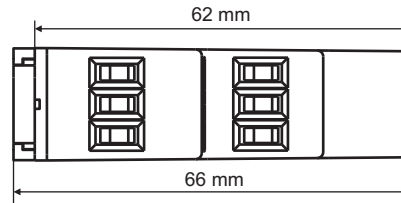
DIMENSIONS



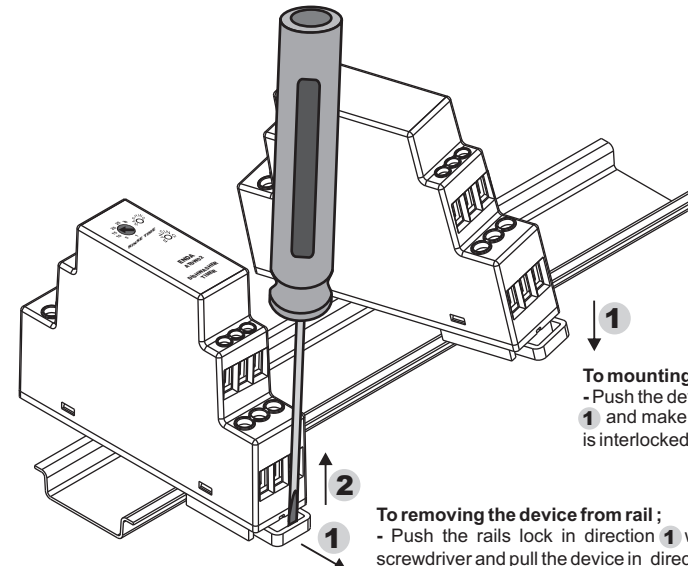
Top View



Bottom View



MOUNTING / REMOVING



To mounting the device on rail ;
- Push the device to rail in direction **1** and make sure that the rail lock is interlocked to rail.

To removing the device from rail ;
- Push the rails lock in direction **1** with a screwdriver and pull the device in direction **2**